

Form 1447w

(950)

Printed in U. S. A.

PHOTODUPLICATION COPY
DO NOT REMOVE

LIST OF PARTS



MACHINES
Nos. 35-1 and 35-2

—
** A TRADE MARK OF

THE SINGER MANUFACTURING COMPANY

From the library of: Diamond Needle Corp

INSTRUCTIONS FOR OILING

To ensure easy running and prevent unnecessary wear of the parts which are in movable contact, the machine requires oiling and when in continuous use, "TYPE B" or "TYPE D" OIL, sold only by Singer Sewing Machine Company, should be applied at least twice each day to all oil holes marked "OIL", as instructed in Form 7383.

"TYPE D" OIL is stainless.

INDEX

	PAGE
ACCESSORIES	12
GUIDES	13
MACHINE No. 35-1	3
MACHINE No. 35-2	9
NUMERICAL LIST OF PARTS	15
OBSOLETE PARTS	13
WINDLASS	13

From the library of: **Diamond Needle Corp**

INSTRUCTIONS FOR ORDERING

5

In ordering from this list, use **ONLY** the **PART** number in the **FIRST** column.

The number stamped on a Sewing Machine Part is the number of the Single Part only, except when the part includes Set Screws, Clamping Screws, Studs and Rollers Spun on, Small Wires riveted, or Parts soldered together, etc., which it is necessary to furnish in combination.

Every combination of parts sent out has its specific number which, although not stamped on Parts (except in above case), must be used when ordering the combination.

Each number always indicates the **SAME PART** in whatever list it appears, or for whatever Machine.

The letters after some of the numbers indicate the style of finish only, as follows:

- A. Hardened, Polished, Nickel Plated and Buffed.
- B. Polished, Nickel Plated and Buffed.
- C. Hardened only.
- D. Polished only.
- E. Soft, not polished.
- F. Hardened and Polished.
- H. Blued.
- J. Nickel Plated only.
- R. Merlized.
- X. Black Oxide, for Iron and Steel.
- XC. Hardened and Black Oxide, for Iron or Steel.
- Y. Black Nickel Plated only.

These letters **MUST BE USED** when they appear in the list and **AFTER** the number, as in the list.

In this series

1 to 1500, 200001 to 201500 and 350001 to 351500 are Screw Numbers.
1501 to 1800, 201501 to 201800 and 351501 to 351800 are Nut Numbers.
1801 to 2000, 201801 to 202000 and 351801 to 352000 are Roller Numbers.
2001 to 50000 and 202001 to 350000 are Numbers of Machine Parts.

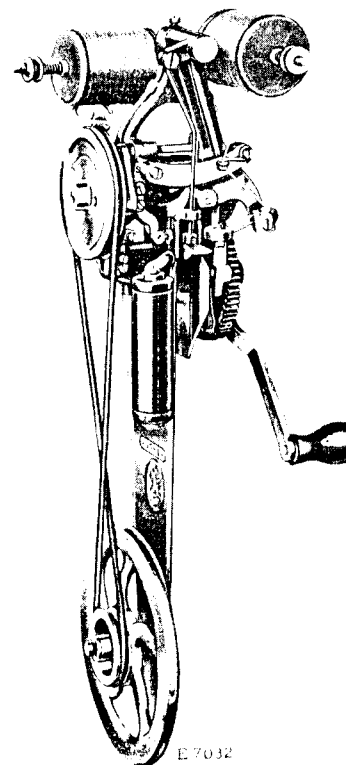
The figures in the second column refer only to the plate in which the illustration of the part is shown and are **NOT TO BE USED** in ordering.

Two or more numbers over a cut indicate that the difference between such parts is not visible in an illustration.

Parts marked with an asterisk (*) are furnished only when repairs are made at the factory.

LIST OF PARTS COMPLETE

FOR



MACHINE No. 35-I

FOR CARPET SEWING. SPOOL TENSIONS.

No.	Plate	Name
7956	8702	Balance Wheel
7957	8702	" " Stud
7958	8702	" " " Pin
7959	8702	" " " Washer
7951	8702	Bed Plate with 7957
7952	8702	" " Division Block
127E	8702	" " " " Screw

From the library of: Diamond Needle Corp

No.	Plate	Name
8082	8702	Bed Plate Extension
7954	8702	Belt, size 3/16 in., length 33-1/2 in., with 25027
25027	8702	Belt Hook
7961	8707	Crank Arm
7962	8707	" Handle (wood)
7963	8707	" " Stud
7964	8707	" " " Washer
145F	8707	" Screw
7960	8707	Crank complete, Nos. 7961 to 7964
7965	8707	Driving Gear and Feed Cam
8104	8707	" " " " Stud (eccentric)
190D	8707	Driving Gear And Feed Cam Stud Set Screw
7967	8707	Feed Pawl (2)
7970	8707	" " Spring (spiral) (2)
2269	8707	" " " Pin (2)
7969	8707	" " Stud
7971	8707	" Rocking Frame with 1804, two each 202F and 7969
1804	8707	Feed Rocking Frame Roller and Stud
7972	8707	" " " Shaft
202F	8707	" " " " Set Screw
7973	8707	" " " Thread Eyelet
190D	8707	" " " " Eyelet Screw
7974	8706	Feed Wheel (2)
7976	8706	" " Lever (left) with 465C
7975	8706	" " " (right) with 465C
7978	8706	" " " Hinge Stud (left)
7977	8706	" " " " (right)
465C	8706	" " " " " Set Screw
7979	8706	" " " Presser Spring
7981	8706	" " Stud (left)
7980	8706	" " " (right)
233D	8706	" " " Set Screw (2)
*8096	8702	Guide (left)
*8097	8702	" (right)
7983	8702	Guide "B" complete, to sew Brussels, Nos. 8096 and 8097
167D	8705	Guide "C" Plier Rod Hinge Screw
127E	8702	" Screw
7991	8702	Handle (wood)
7992	8702	" Bracket
401E	8702	" " Screw (2)
473E	8702	" Screw Stud
7990	8702	Handle complete, Nos. 473E, 7991 and 7992
136D	8705	Head Frame Clamping Screw (lower)
145E	8705	" " " " (upper)
401E	8702	" " Screw (6)
*7994	8705	" " Side (long)
*7995	8705	" " " (short)
7993	8705	Head Frame complete, Nos. 136D, 145E, 7994 and 7995
7996	8705	Looper

No.	Plate	Name
7997	8705	Looper Lever with 351870
171E	8705	" " Adjusting Screw
1549J	8705	" " " " Nut
7998	8705	" " Cam
7958	8705	" " " Pin
7999	8705	" " " Shaft
8000	8707	" " " " Pinion
7958	8707	" " " " " Pin
1904	8705	" " Roller
351870	8705	" " " 1904 with 8103
8103	8705	" " " Stud
8001	8705	" " Shaft
2269	8705	" " " Pin
185H	8705	" Set Screw
8005	8705	" Thread Guide
190D	8705	" " " Screw
8002	8705	" Trip
171E	8705	" " Adjusting Screw
1549J	8705	" " " " Nut
10195	8705	" " Spring (spiral)
8034	8703	" " Thread Eyelet (double)
2269	8703	" " " " Dowel Pin
50152D	8703	" " " " Screw
8102	8703	" " " " Washer
8037	8705	Needle Clamp
2269	8705	" " Dowel Pin
159F	8705	" " Screw
8086	8705	" Guide with 201979
201979	8705	" " Roller and Stud
217F	8705	" " Screw (2)
8008	8705	" Lever with 1804 and two 2269
8009	8705	" " Cam with 363C
363C	8705	" " " Set Screw
8065	8705	" " Guide (under)
401E	8705	" " " " Screw (2)
8011	8705	" " " (upper)
145F	8705	" " " " Screw (2)
8012	8705	" " " Division Block (2)
8013	8705	" " Hinge Stud
183F	8705	" " " " Set Screw
1804	8705	" " Roller and Stud
2269	8705	" Position Pin
8088	8703	" Thread Eyelet
8101	8703	Spool Bracket Adjustable Cone
8018	8703	" " " " 8101 with 15072
15072	8703	Spool Bracket Adjustable Cone Pin
8019	8703	" " " " Spring
8020	8703	" " Clamp
145E	8703	" " " Screw
1541A	8703	" " Tension Regulating Nut
8021	8703	" " " " Nut
471H	8703	Washer (leather)
8017	8703	Spool Bracket Wire and Cone
		Spool Bracket complete (looper thread), Nos. 471H, 8018, 8019, 8021 and two 1541A

PARTS FOR MACHINE No. 35-1

No.	Plate	Name
900H	8703	Spool Bracket Wire and Cone
8089	8703	Spool Bracket complete (needle thread), Nos. 900H, 8018, 8019, 8021 and two 1541A
8024	8702	Thread Nipper Bracket with 8026, 8027 and 8029
333D	8702	Thread Nipper Bracket Screw (2)
1838	8702	" " Roller
8025	8702	" " " Arm
8027	8702	" " " Stop Pin
8026	8702	" " " Stud
334D	8702	" " " Screw
8068	8702	" " " Screw
		Washer
334D	8702	Thread Nipper Roller Screw
8068	8702	" " " Washer
8028	8702	" " Spring
8029	8702	" " Stud
8023	8702	Thread Nipper complete, Nos. 1838, 8024, 8025, 8028, two each 334D and 8068

SINGER Needles should be used
in SINGER Machines.
These Needles and their Containers
are marked with the
Company's Trade Mark "SIMANCO. **" 1

Needles in Containers marked
"FOR SINGER MACHINES"
are NOT **SINGER** made needles. 2

LIST OF PARTS COMPLETE

FOR

MACHINE No. 35-2

FOR CARPET SEWING. DISC TENSIONS.

No.	Plate	Name
7956	8702	Balance Wheel
7957	8702	" " Stud
7958	8702	" " " Pin
7959	8702	" " " Washer
7951	8702	Bed Plate with 7957
7952	8702	" " Division Block
127E	8702	" " " " Screw
8082	8702	" " Extension
7954	8702	Belt, size 3/16 in., length 33-1/2 in., with 25027
25027	8702	Belt Hook
7961	8707	Crank Arm
7962	8707	" Handle (wood)
7963	8707	" " Stud
7964	8707	" " " Washer
145F	8707	" Screw
7960	8707	Crank complete, Nos. 7961 to 7964
7965	8707	Driving Gear and Feed Cam
8104	8707	" " " Stud (eccentric)
190D	8707	Driving Gear and Feed Cam Stud Set Screw
7967	8707	Feed Pawl (2)
7970	8707	" " Spring (spiral) (2)
2269	8707	" " " Pin (2)
7969	8707	" " Stud
7971	8707	" Rocking Frame with 1804, two each 202F and 7969
1804	8707	Feed Rocking Frame Roller and Stud
7972	8707	" " " Shaft
202F	8707	" " " " Set Screw
7973	8707	" " " Thread Eyelet
190D	8707	" " " " Eyelet
		Screw
7974	8706	Feed Wheel (2)
7976	8706	" " Lever (left) with 465C
7975	8706	" " " (right) with 465C
7978	8706	" " " Hinge Stud (left)
7977	8706	" " " " (right)
465C	8706	" " " " Set Screw
7979	8706	" " " Presser Spring
7981	8706	" " Stud (left)

No.	Plate	Name
7980	8706	Feed Wheel Stud (right)
233D	8706	" " " Set Screw (2)
*8096	8702	Guide (left)
*8097	8702	" (right)
7983	8702	Guide "B" complete, to sew Brussels, Nos. 8096 and 8097
167D	8705	Guide "C" Piler Rod Hinge Screw
127E	8702	" Screw
7991	8702	Handle (wood)
7992	8702	" Bracket
401E	8702	" " Screw (2)
473E	8702	" Screw Stud
7990	8702	Handle complete, Nos. 473E, 7991 and 7992
136D	8705	Head Frame Clamping Screw (lower)
145E	8705	" " " (upper)
401E	8702	" " Screw (6)
*7994	8705	" " Side (long)
*7995	8705	" " (short)
7993	8705	Head Frame complete, Nos. 136D, 145E, 7994 and 7995
7996	8705	Looper
7997	8705	" Lever with 351870
171E	8705	" " Adjusting Screw
1549J	8705	" " " " Nut
7998	8705	" " Cam
7958	8705	" " Pin
7999	8705	" " Shaft
8000	8707	" " " Pinion
7958	8707	" " " Pin
1904	8705	" " Roller
351870	8705	" " " 1904 with 8103
8103	8705	" " " Stud
8001	8705	" " Shaft
2269	8705	" " Pin
185H	8705	" Set Screw
8005	8705	" Thread Guide
190D	8705	" " " Screw
8002	8705	" Trip
171E	8705	" " Adjusting Screw
1549J	8705	" " " " Nut
10195	8705	" " Spring (spiral)
8037	8705	Needle Clamp
2269	8705	" " Dowel Pin
159F	8705	" " Screw
8086	8705	" Guide with 201979
201979	8705	" " Roller and Stud
217F	8705	" " Screw (2)
8008	8705	" Lever with 1804 and two 2269
8009	8705	" " Cam with 363C
363C	8705	" " " Set Screw
8065	8705	" " Guide (under)
401E	8705	" " " Screw (2)
8011	8705	" " " (upper)
145F	8705	" " " Screw (2)
8012	8705	" " " Division Block (2)

No.	Plate	Name
8013	8705	Needle Lever Hinge Stud
183F	8705	" " " " Set Screw
1804	8705	" " Roller and Stud
2269	8705	" Position Pin
8016	8704	" Thread Eyelet (lower)
8015	8704	" " (upper)
190D	8704	" " " Screw (2)
8064	8704	Spool Holder Cone
8039	8704	" " " (adjustable) 8064 with 759F
759F	8704	Spool Holder Cone Thumb Screw
8040	8704	" " Wire with fixed cone
8038	8704	Spool Holder complete (looper thread), Nos. 8039 and 8040
8042	8704	Spool Holder Wire with fixed cone
8041	8704	Spool Holder complete (needle thread), Nos. 8039 and 8042
8044	8704	Tension Bracket
2269	8704	" " Position Pin
50152D	8704	" " Screw
8063	8704	" " Thread Eyelet
8102	8704	" " Washer
2102	8704	" Disc
1560C	8704	" Regulating Thumb Nut
413C	8704	" Screw Stud
1547X	8704	" " " Nut
2103	8704	" Spring
8043	8704	Tension complete (looper thread), Nos. 413C, 1547X, 1560C, 2103, 8044, 8063 and two 2102
8048	8704	Tension Bracket
145E	8704	" " Screw
8047	8704	Tension complete (needle thread), Nos. 413C, 1547X, 1560C, 2103, 8048, 8063 and two 2102
8024	8702	Thread Nipper Bracket with 8026, 8027 and 8029
333D	8702	Thread Nipper Bracket Screw (2)
1838	8702	" " Roller
8025	8702	" " " Arm
8027	8702	" " " Stop Pin
8026	8702	" " " Stud
334D	8702	" " " " Screw
8068	8702	" " " " " Screw
		Washer
334D	8702	Thread Nipper Roller Screw
8068	8702	" " " " Washer
8028	8702	" " Spring
8029	8702	" " " Stud
8023	8702	Thread Nipper complete, Nos. 1838, 8024, 8025, 8028, two each 334D and 8068

ACCESSORIES

No.	Plate	Name
7979	8706	Feed Wheel Lever Presser Spring
7984	8708	Guide "C" to sew Moquettes
7988	8708	" " "C" Piler Block
233D	8708	" " "C" Piler Block Set Screw
7989	8708	" " "C" Piler Rod
7987	8708	Guide "C" Piler complete, Nos. 233D, 7988 and 7989
7985	8708	Guide "D" to sew on borders
8083	8708	" " to sew on heavy borders
8085	8708	" " " " light Moquettes
35 x 3	----	Needles, five, size 26
244325	8709	Hanging Clamp with 8080 and 8081 (10)
8094	8709	" " Chain, 40 ft. long
8080	8709	" " Collar
8092	8709	" " Screw Eye (10)
8081	8709	" " Spur
8033	8709	Looper Threader (2)
8078	8709	Matching Awl
8034	8709	" " 8078 with Hook
8035	8709	Needle Gauge and Wrench combined
120342	8709	Oiler (copper plated) with 120343
120343	8709	" Spout, 3-1/2 in. long
259477	8709	Screw Driver
8070	8709	Stretching Clamp Cord Eyelet
8090	8709	" " Hinge Pin (eyelet end)
8073	8709	" " " " (for link)
8100	8709	" " " " (jaw end)
244315	8709	" " Jaw (left)
244316	8709	" " " (right)
8074	8709	" " Link
8095	8709	" " Rope, 40 ft. long
8105	8709	" " Hook with four wood screws 1-1/4 in., No. 12, R.H.B.
8032	8709	Stretching Clamp Spring
8077	8709	" " " " Hook
244318	8709	Stretching Clamp complete, Nos. 8032, 8070, 8090, 8100, 244315, 244316, two each 8073, 8074 and 8077 (2)
23535	8709	Wrench

WINDLASS

No.	Plate	Name
8051	8709	Windlass Crank Arm with 678C
8052	8709	" " Handle (wood)
8053	8709	" " " Stud
678C	8709	" " Set Screw
8050	8709	Windlass Crank complete, Nos. 8051 to 8053
8054	8709	Windlass Cylinder
8055	8709	" " Pin
8056	8709	" " Shaft
8057	8709	" Frame with 8077
8058	8709	" Ratchet Pawl with 8077
8059	8709	" " " Spring
8077	8709	" " " Hook
8061	8709	" " " Stud
7958	8709	" " " Pin
8049	8709	Windlass complete, Nos. 7958, 8050, 8054 to 8059 and 8061

GUIDES

7982	8708	Guide "A" to sew Ingrain
7986	8708	" "E" to hem borders
*8098	8708	" (left)
*8099	8708	" (right)
8084	8708	Guide complete to sew light Brussels and Tapestry, Nos. 8098 and 8099

OBSOLETE PARTS

7953	----	Bed Plate Extension
8006	----	Needle Clamp, for Machine No. 35-1
8066	----	" Guide with 1889
1889	----	" " Roller and Stud
8067	----	" " Bracket
8010	----	" Lever Guide (under)

NUMERICAL LIST OF PARTS

No.	Plate	Name
127E	8702	Bed Plate Division Block Screw
127E	8702	Guide Screw
136D	8705	Head Frame Clamping Screw (lower), for 7993
145F	8707	Crank Screw
145E	8705	Head Frame Clamping Screw (upper), for 7993
145F	8705	Needle Lever Guide (upper) Screw
145E	8703	Spool Bracket Clamp Screw, for Machine No.35-1
145E	8704	Tension Bracket Screw, for Machine No.35-2
159F	8705	Needle Clamp Screw
167D	8705	Guide "C" Piler Rod Hinge Screw
171E	8705	Looper Lever Adjusting Screw
171E	8705	" Trip Adjusting Screw
183F	8705	Needle Lever Hinge Stud Set Screw
185H	8705	Looper Set Screw
190D	8707	Driving Gear and Feed Cam Stud Set Screw
190D	8707	Feed Rocking Frame Thread Eyelet Screw
190D	8705	Looper Thread Guide Screw
190D	8704	Needle Thread Eyelet Screw, for Machine No.35-2
202F	8707	Feed Rocking Frame Shaft Set Screw, for 7971
217F	8705	Needle Guide Screw
233D	8706	Feed Wheel Stud Set Screw
233D	8708	Guide "C" Piler Block Set Screw, for 7987
333D	8702	Thread Nipper Bracket Screw
334D	8702	" " Roller Arm Stud Screw, for 8023
334D	8702	Thread Nipper Roller Screw, for 8023
363C	8705	Needle Lever Cam Set Screw, for 8009
401E	8702	Handle Bracket Screw
401E	8702	Head Frame Screw
401E	8705	Needle Lever Guide (under) Screw
413C	8704	Tension Screw Stud, for 8043 and 8047
465C	8706	Feed Wheel Lever Hinge Stud Set Screw, for 7975 and 7976
471H	8703	Spool Bracket Wire and Cone, for 8017
473E	8702	Handle Screw Stud, for 7990
678C	8709	Windlass Crank Set Screw, for 8051
759F	8704	Spool Holder Cone Thumb Screw, for 8039
900H	8703	" Bracket Wire and Cone, for 8089

SINGER Needles should be used
in SINGER Machines.
These Needles and their Containers
are marked with the
Company's Trade Mark "SIMANCO.**" 1

Needles in Containers marked
"FOR SINGER MACHINES"
are NOT **SINGER** made needles. 2

From the library of: Diamond Needle Corp

No.	Plate	Name
1541A	8703	Spool Bracket Tension Regulating Nut, for 8017 and 8089
1547X	8704	Tension Screw Stud Nut, for 8043 and 8047
1549J	8705	Looper Lever Adjusting Screw Nut
1549J	8705	" Trip Adjusting Screw Nut
1560C	8704	Tension Regulating Thumb Nut, for 8043 and 8047
1804	8707	Feed Rocking Frame Roller and Stud, for 7971
1804	8705	Needle Lever Roller and Stud, for 8008
1838	8702	Thread Nipper Roller, for 8023
1889	----	Needle Guide Roller and Stud, for 8066
1904	8705	Looper Lever Roller, for 351870
2102	8704	Tension Disc, for 8043 and 8047
2103	8704	" Spring, for 8043 and 8047
2269	8707	Feed Pawl Spring Pin
2269	8705	Looper Lever Shaft Pin
2269	8703	" Trip Thread Eyelet Dowel Pin, for Machine No.35-1
2269	8705	Needle Clamp Dowel Pin, for 8008
2269	8705	" Position Pin, for 8008
2269	8704	Tension Bracket Position Pin, for Machine No.35-2
7951	8702	Bed Plate with 7957
7952	8702	" " Division Block
7953	----	" " Extension (obsolete)
7954	8702	Belt, size 3/16 in., length 33-1/2 in., with 25027
7956	8702	Balance Wheel
7957	8702	" " Stud, for 7951
7958	8702	" " Pin
7958	8705	Looper Lever Cam Pin
7958	8707	" " Shaft Pinion Pin
7958	8709	Windlass Ratchet Pawl Stud Pin, for 8049
7959	8702	Balance Wheel Stud Washer
7960	8707	Crank complete, Nos. 7961 to 7964 Nos. 7961 to 7964, for 7960
7961	8707	Crank Arm
7962	8707	" Handle (wood)
7963	8707	" " Stud
7964	8707	" " Washer
7965	8707	Driving Gear and Feed Cam
7967	8707	Feed Pawl
7969	8707	" " Stud, for 7971
7970	8707	" " Spring (spiral)
7971	8707	" Rocking Frame with 1804, two each 202F and 7969
7972	8707	Feed Rocking Frame Shaft
7973	8707	" " Thread Eyelet
7974	8706	" Wheel
7975	8706	" " Lever (right) with 465C
7976	8706	" " " (left) with 465C
7977	8706	" " " Hinge Stud (right)
7978	8706	" " " " (left)
7979	8706	" " " Presser Spring

No.	Plate	Name
7980	8706	Feed Wheel Stud (right)
7981	8706	" " " (left)
7982	8708	Guide "A" to sew Ingrain
7983	8702	Guide "B" complete, to sew Brussels, Nos. 8096 and 8097
7984	8708	Guide "C" to sew Moquettes
7985	8708	" "D" to sew on borders
7986	8708	" "E" to hem borders
7987	8708	Guide "C" Piler complete, Nos. 233D, 7988 and 7989
7988	8708	Guide "C" Piler Block, for 7987
7989	8708	" "C" Piler Rod, for 7987
7990	8702	Handle complete, Nos. 473E, 7991 and 7992
7991	8702	" (wood), for 7990
7992	8702	" Bracket, for 7990
7993	8705	Head Frame complete, Nos. 136D, 145E, 7994 and 7995
*7994	8705	Head Frame Side (long), for 7993
*7995	8705	" " " (short), for 7993
7996	8705	Looper
7997	8705	" Lever with 351870
7998	8705	" " Cam
7999	8705	" " Shaft
8000	8707	" " " Pinion
8001	8705	" " Shaft
8002	8705	" Trip
8004	8703	" " Thread Eyelet (double), for Machine No.35-1
8005	8705	Looper Thread Guide
8006	----	Needle Clamp (obsolete), for Machine No.35-1
8008	8705	Needle Lever with 1804 and two 2269
8009	8705	" " Cam with 363C
8010	----	" " Guide (under) (obsolete)
8011	8705	" " (upper)
8012	8705	" " Division Block
8013	8705	" " Hinge Stud
8015	8704	" Thread Eyelet (upper), for Machine No.35-2
8016	8704	Needle Thread Eyelet (lower), for Machine No.35-2
8017	8703	Nos. 8017 to 8021, for Machine No.35-1 Spool Bracket complete (looper thread), Nos. 471H, 8018, 8019, 8021 and two 1541A
8018	8703	Spool Bracket Adjustable Cone 8101 with 15072, for 8017 and 8089
8019	8703	Spool Bracket Adjustable Cone Spring, for 8017 and 8089
8020	8703	Spool Bracket Clamp
8021	8703	" " Tension Regulating Nut Washer (leather), for 8017 and 8089
8023	8702	Thread Nipper complete, Nos. 1838, 8024, 8025, 8028, two each 334D and 8068
8024	8702	Thread Nipper Bracket with 8026, 8027 and 8029, for 8023

NUMERICAL LIST OF PARTS

No.	Plate	Name
8025	8702	Thread Nipper Roller Arm, for 8023
8026	8702	" " " " Stud, for 8024
8027	8702	" " " " Stop Pin, for 8024
8028	8702	Thread Nipper Spring, for 8023
8029	8702	" " " " Stud, for 8024
8032	8709	Stretching Clamp Spring, for 244318
8033	8709	Looper Threader
8034	8709	Matching Awl 8078 with Hook
8035	8709	Needle Gauge and Wrench combined
8037	8705	" Clamp
		Nos. 8038 to 8044, for Machine No. 35-2
8038	8704	Spool Holder complete (looper thread), Nos. 8039 and 8040
8039	8704	Spool Holder Cone (adjustable) 8064 with 759F, for 8038 and 8041
8040	8704	Spool Holder Wire with fixed cone, for 8038
8041	8704	Spool Holder complete (needle thread), Nos. 8039 and 8042
8042	8704	Spool Holder Wire with fixed cone, for 8041
8043	8704	Tension complete (looper thread), Nos. 413C, 1547X, 1560C, 2103, 8044, 8063 and two 2102
8044	8704	Tension Bracket, for 8043
8047	8704	Tension complete (needle thread), Nos. 413C, 1547X, 1560C, 2103, 8048, 8063 and two 2102, for Machine No. 35-2
8048	8704	Tension Bracket, for 8047
8049	8709	Windlass complete, Nos. 7958, 8050, 8054 to 8059 and 8061
8050	8709	Windlass Crank complete, Nos. 8051 to 8053, for 8049
		Nos. 8051 to 8053, for 8050
8051	8709	Windlass Crank Arm with 678C
8052	8709	" " Handle (wood)
8053	8709	" " " Stud
		Nos. 8054 to 8059, for 8049
8054	8709	Windlass Cylinder
8055	8709	" " Pin
8056	8709	" " Shaft
8057	8709	" Frame with 8077
8058	8709	" Ratchet Pawl with 8077
8059	8709	" " Spring
8061	8709	" " " Stud, for 8049
8063	8704	Tension Bracket Thread Eyelet, for 8043 and 8047
8064	8704	Spool Holder Cone, for 8039
8065	8705	Needle Lever Guide (under)
8066	----	" Guide with 1889 (obsolete)
8067	----	" " Roller Bracket (obsolete)
8068	8702	Thread Nipper Roller Arm Stud Screw Washer, for 8023
8068	8702	Thread Nipper Roller Screw Washer, for 8023
8070	8709	Stretching Clamp Cord Eyelet, for 244318

NUMERICAL LIST OF PARTS

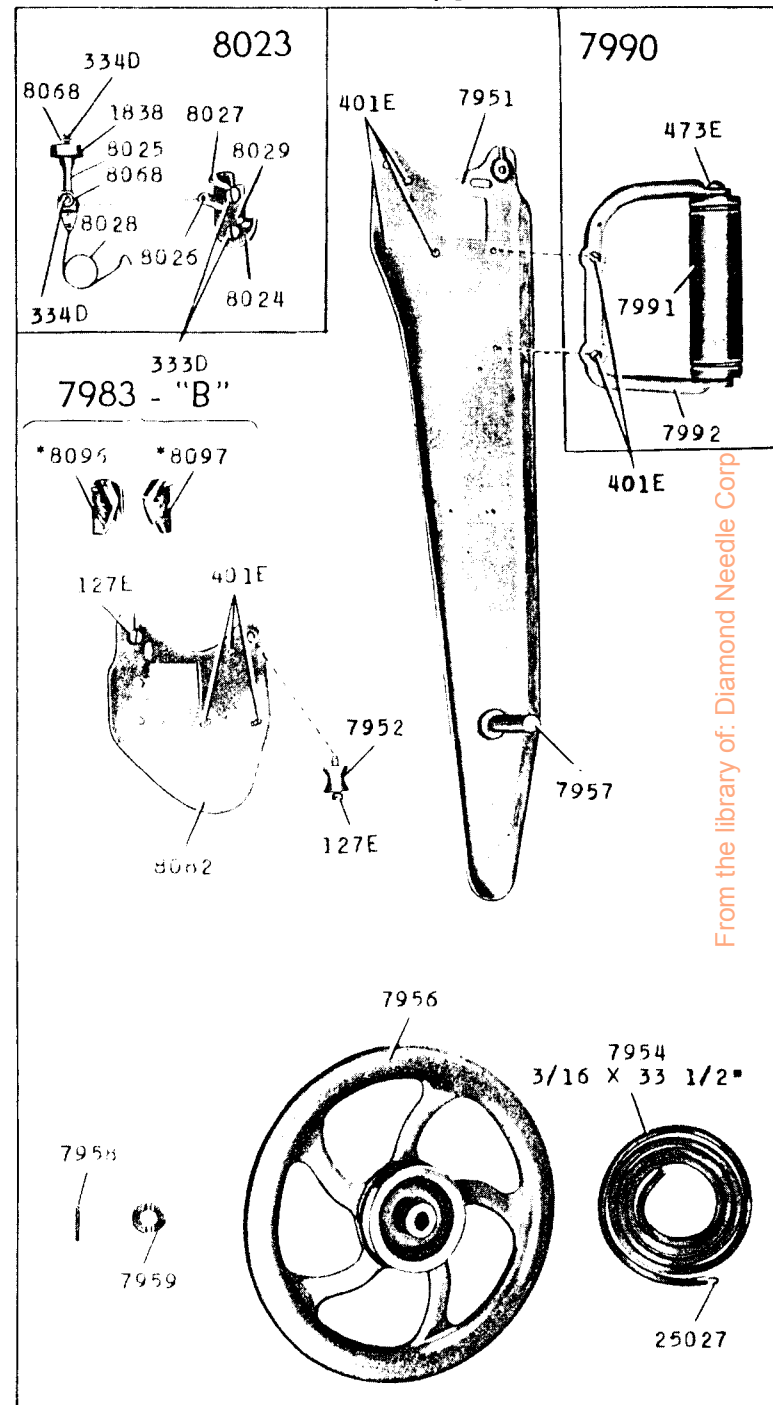
No.	Plate	Name
8073	8709	Stretching Clamp Hinge Pin (for link), for 244318
8074	8709	Stretching Clamp Link, for 244318
8077	8709	" " Spring Hook, for 244318
8077	8709	Windlass Ratchet Pawl Spring Hook, for 8057 and 8058
8078	8709	Matching Awl, for 8034
8080	8709	Hanging Clamp Collar, for 244325
8081	8709	" " Spur, for 244325
8082	8702	Bed Plate Extension
8083	8708	Guide to sew on heavy borders
8084	8708	Guide complete to sew light Brussels and Tapestry, Nos. 8098 and 8099
8085	8708	Guide to sew light Moquettes
8086	8705	Needle Guide with 201979
8088	8703	" Thread Eyelet, for Machine No. 35-1
8089	8703	Spool Bracket complete (needle thread), Nos. 900H, 8018, 8019, 8021 and two 1541A, for Machine No. 35-1
8090	8709	Stretching Clamp Hinge Pin (eyelet end), for 244318
8092	8709	Hanging Clamp Screw Eye
8094	8709	" " Chain, 40 ft. long
8095	8709	Stretching Clamp Rope, 40 ft. long
*8096	8702	Guide (left), for 7983
*8097	8702	" (right), for 7983
*8098	8708	" (left), for 8084
*8099	8708	" (right), for 8084
8100	8709	Stretching Clamp Hinge Pin (jaw end), for 244318
8101	8703	Spool Bracket Adjustable Cone, for 8018
8102	8703	Looper Trip Thread Eyelet Washer, for Machine No. 35-1
8102	8704	Tension Bracket Washer, for Machine No. 35-2
8103	8705	Looper Lever Roller Stud, for 351870
8104	8707	Driving Gear and Feed Cam Stud (eccentric)
8105	8709	Stretching Clamp Rope Hook with four wood screws 1-1/4 in., No. 12, R.H.B.
10195	8705	Looper Trip Spring (spiral)
15072	8703	Spool Bracket Adjustable Cone Pin, for 8018
23535	8709	Wrench
25027	8702	Belt Hook, for 7954
50152D	8703	Looper Trip Thread Eyelet Screw, for Machine No. 35-1
50152D	8704	Tension Bracket Screw, for Machine No. 35-2
120342	8709	Oiler (copper plated) with 120343
120343	8709	" Spout, 3-1/2 in. long, for 120342
201979	8705	Needle Guide Roller and Stud, for 8086
244315	8709	Stretching Clamp Jaw (left), for 244318
244316	8709	" " " (right), for 244318

No.	Plate	Name
244318	8709	Stretching Clamp complete, Nos. 8032, 8070, 8090, 8100, 244315, 244316, two each 8073, 8074 and 8077
244325	8709	Hanging Clamp with 8080 and 8081
259477	8709	Screw Driver
351870	8705	Looper Lever Roller 1904 with 8105, for 7997

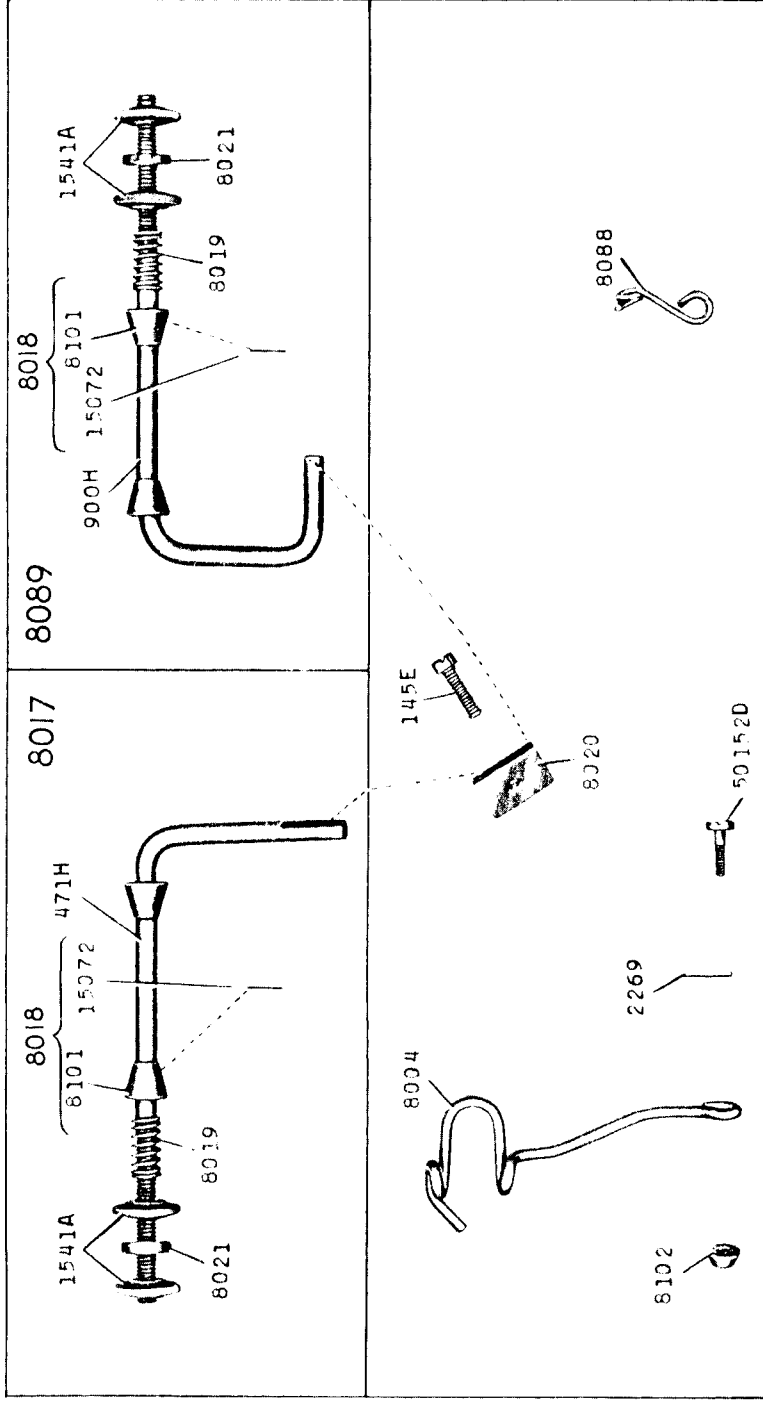
SINGER Needles should be used
in SINGER Machines.
These Needles and their Containers
are marked with the
Company's Trade Mark "SIMANCO.***" 1

Needles in Containers marked
"FOR SINGER MACHINES"
are NOT **SINGER** made needles. 2

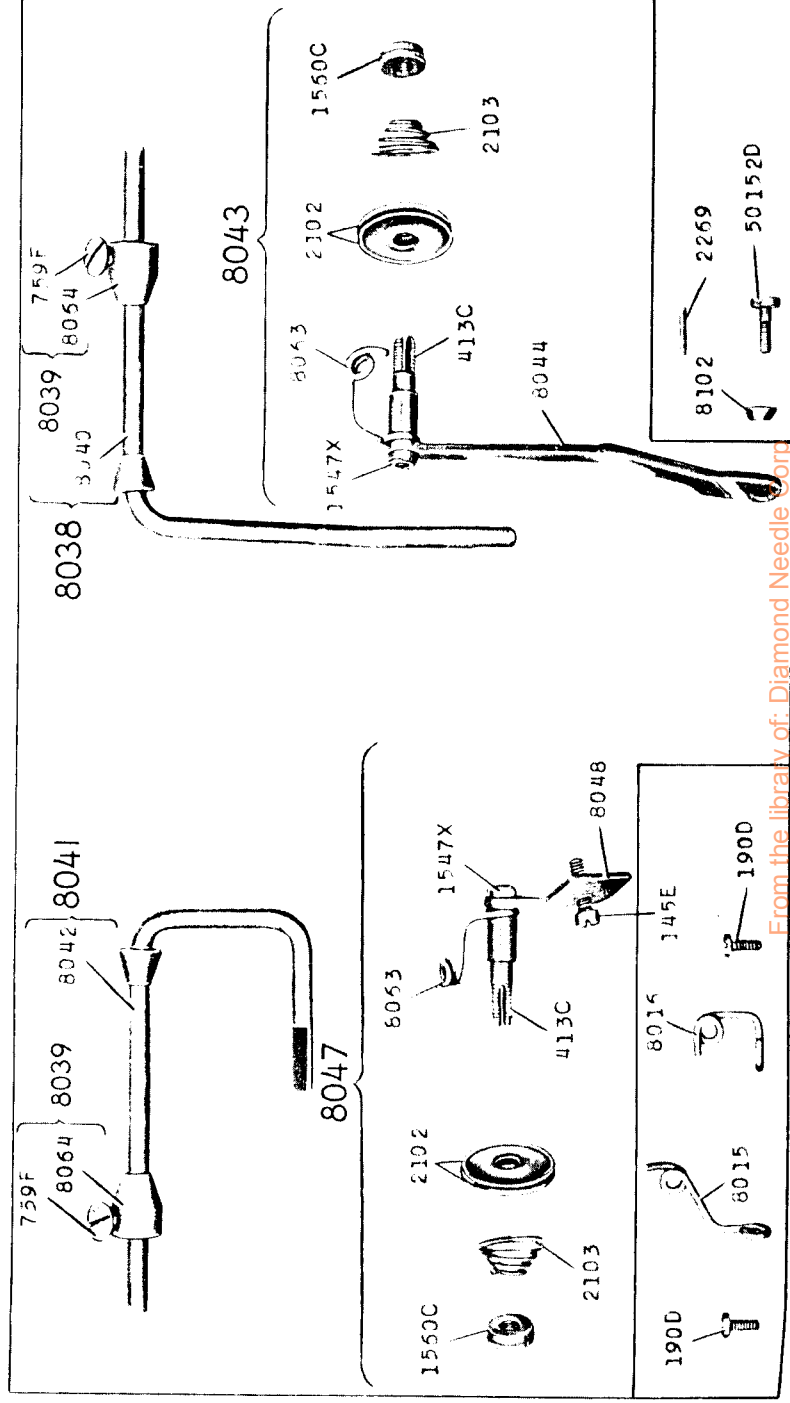
8702 - 1/4



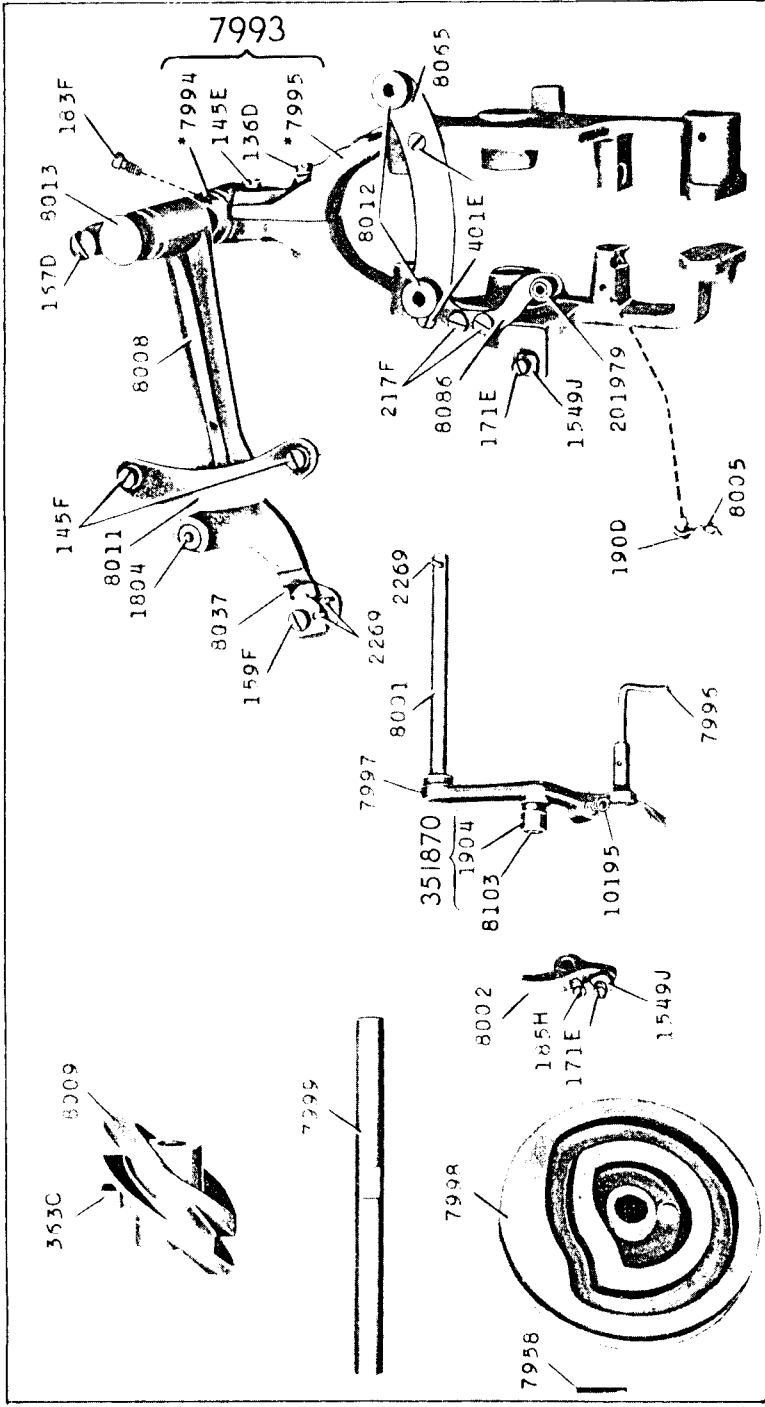
8703 - 1/2



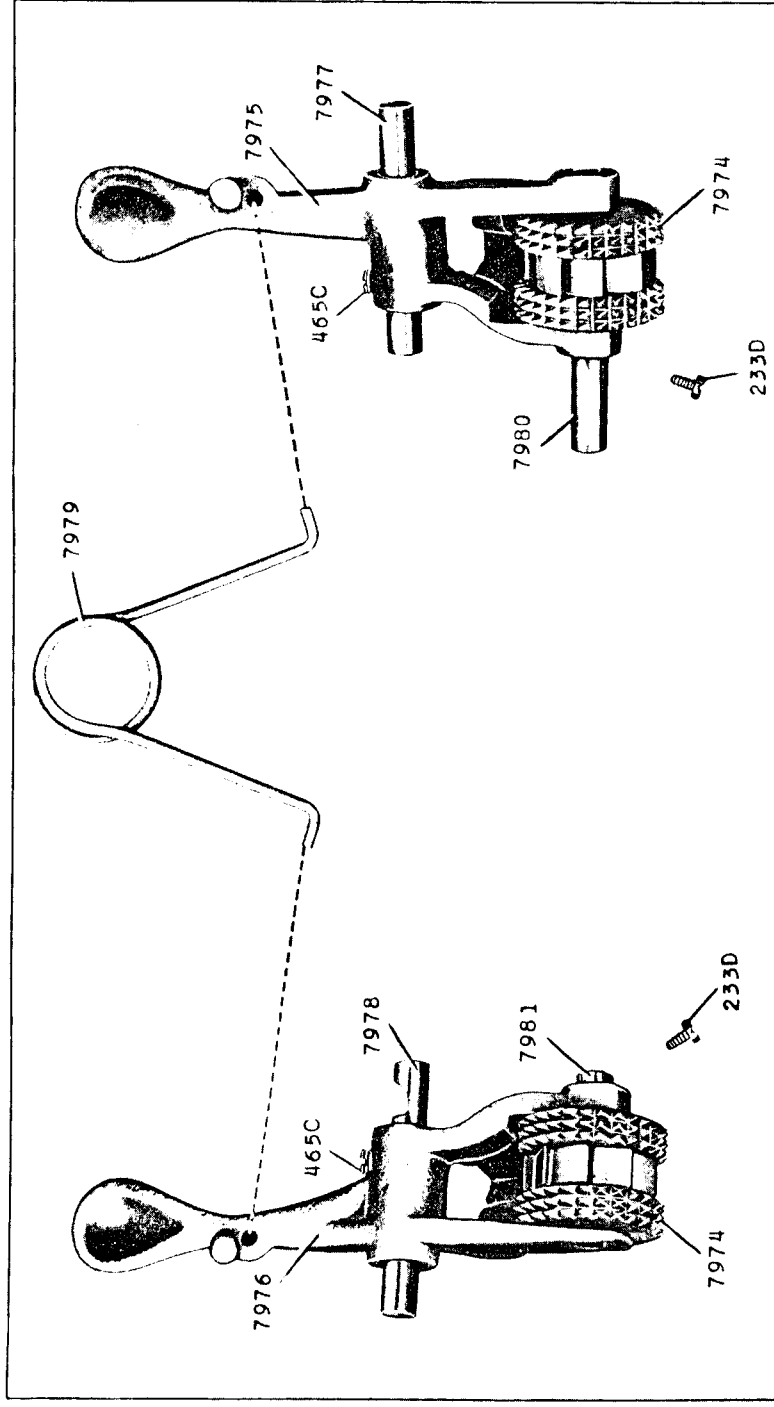
8704 - 1/2



8705 - 3/8

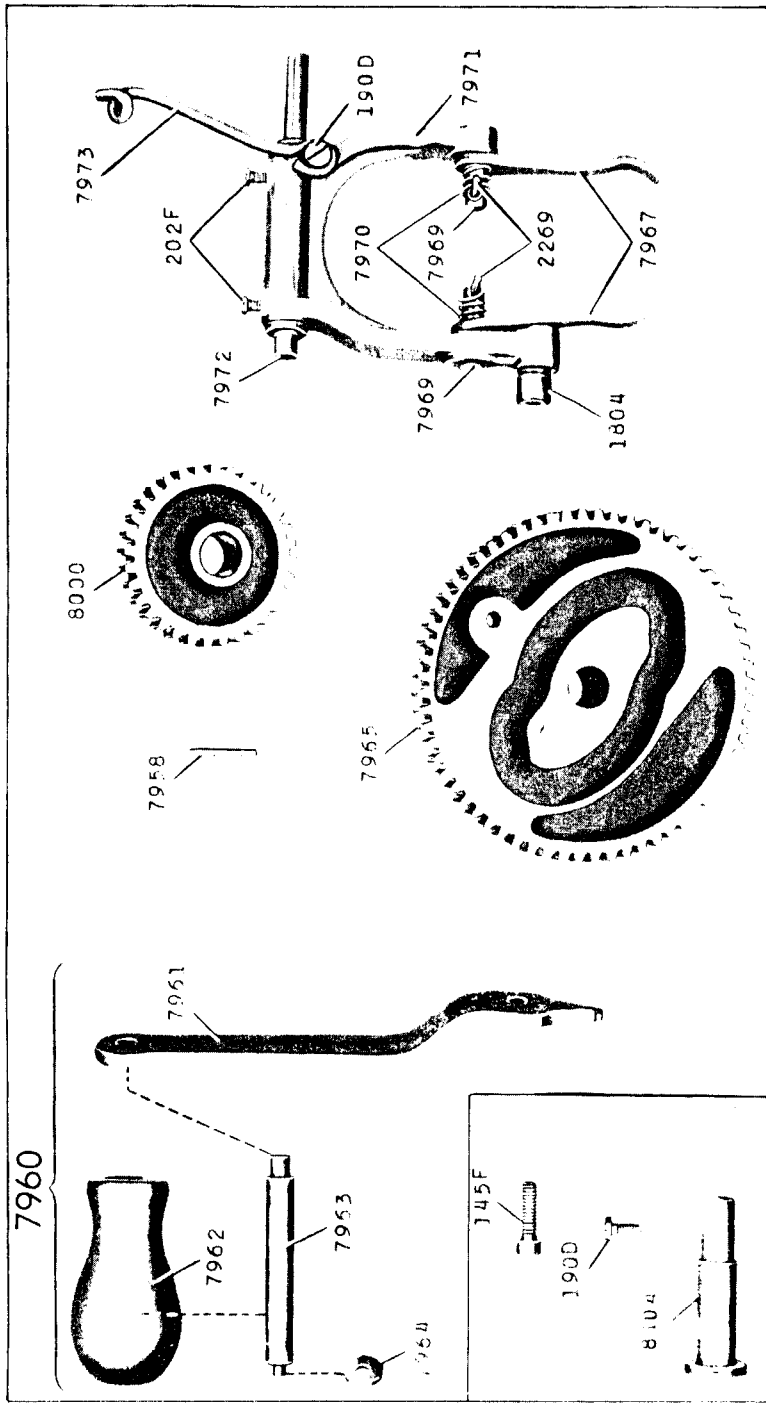


8706 - 3/4

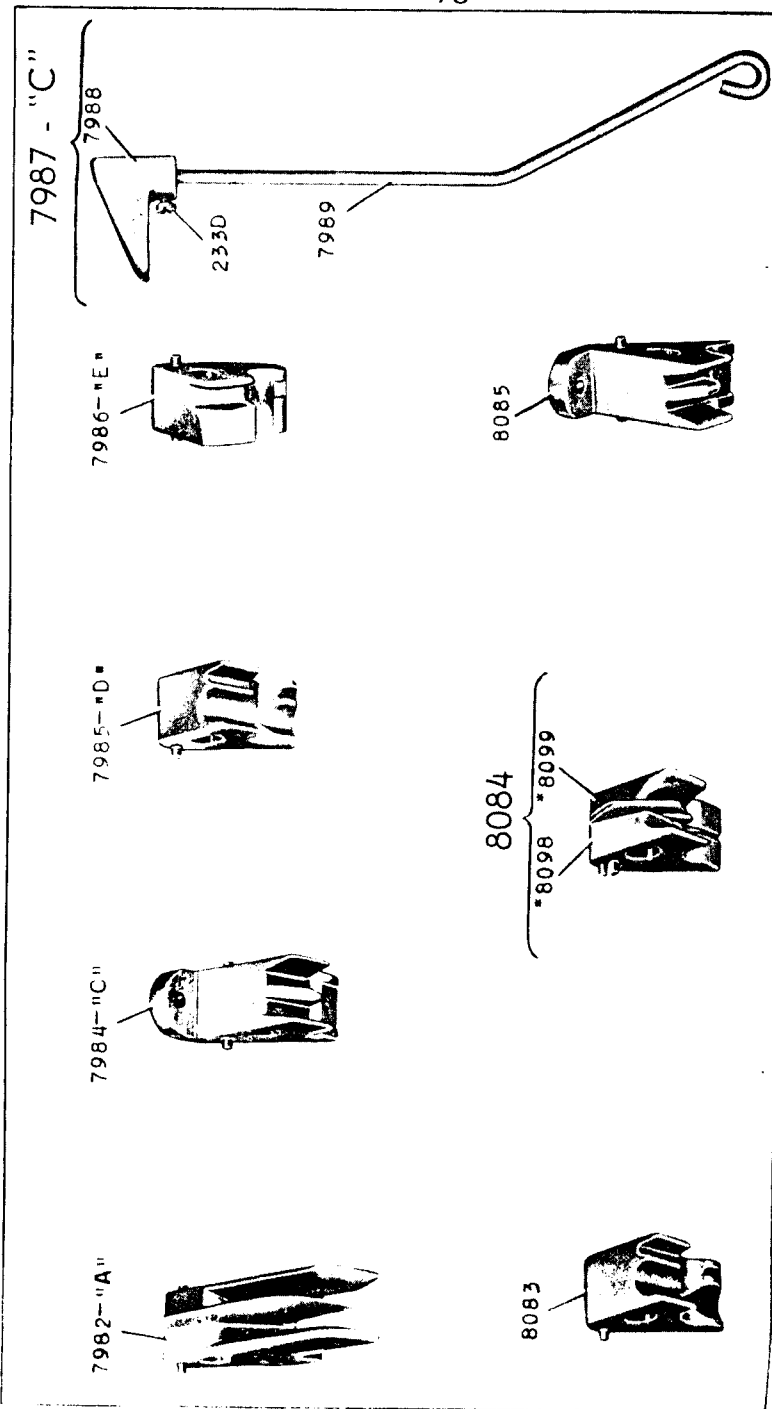


From the library of: Diamond Needle Corp

8707 - 1/2



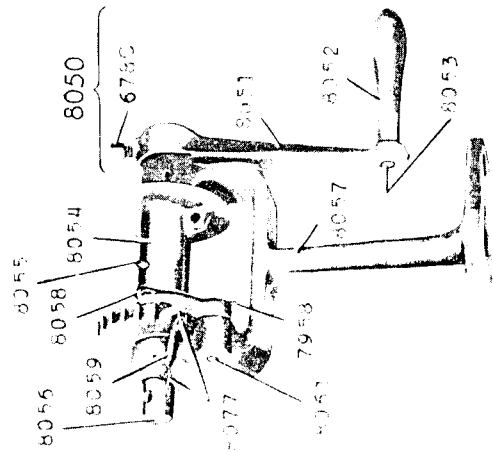
8708 - 5/8



From the library of: Diamond Needle Corp

8709 - 1/6

8049



8034

